



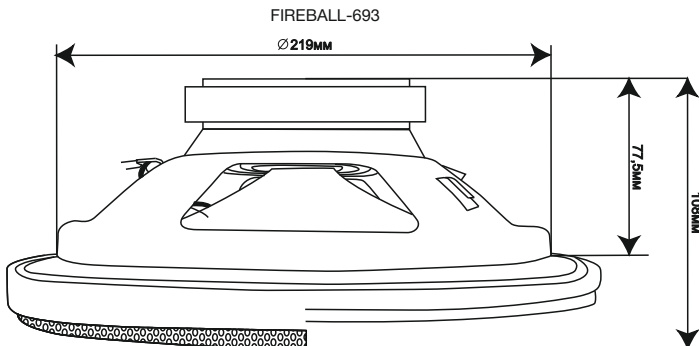
FIREBALL-693

16x24cm coaxial speaker

- Description:**
- 6x9" (16x24 cm) coaxial car speaker with grill
 - 1" (25 mm) high temperature voice coil
 - Steel stamped basket
 - 3-way

Technical features:

Power RMS (Watts)	121
Maximum power (Watts)	251
Nominal impedance (Ohm)	4
Voice coil diameter	1" (25mm)
Magnet structure weight	10 Oz (280g)
Frequency response (Hz)	45-20000
SPL (dB)	93±2
Overall depth (mm)	108
Mounting depth (mm)	77.5
Overall diameter (mm)	164x235
Mounting diameter (mm)	147x219



In order to improve product quality, product specifications and features are subject to change without notice.

©2021 AURA Electronics Inc. All rights reserved.

www.aurael.ru