



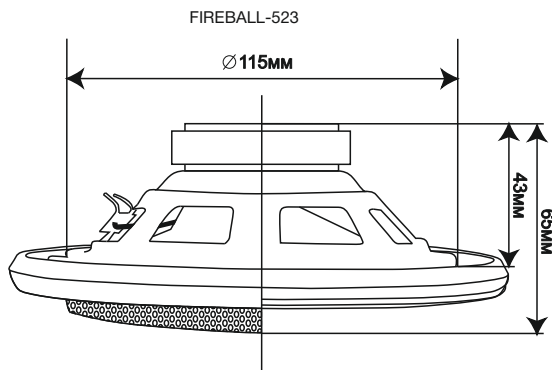
FIREBALL-523

13cm coaxial speaker

- Description:**
- 5.25" (13 cm) coaxial car speaker with grill
 - 0.7" (18 mm) high temperature voice coil
 - Steel stamped basket
 - 3-way

Technical features:

Power RMS (Watts)	61
Maximum power (Watts)	121
Nominal impedance (Ohm)	4
Voice coil diameter	0.7" (18mm)
Magnet structure weight	4 Oz (130g)
Frequency response (Hz)	75-20000
SPL (dB)	90±2
Overall depth (mm)	65
Mounting depth (mm)	43
Overall diameter (mm)	130
Mounting diameter (mm)	115



In order to improve product quality, product specifications and features are subject to change without notice.

©2021 AURA Electronics Inc. All rights reserved.

www.aurael.ru