



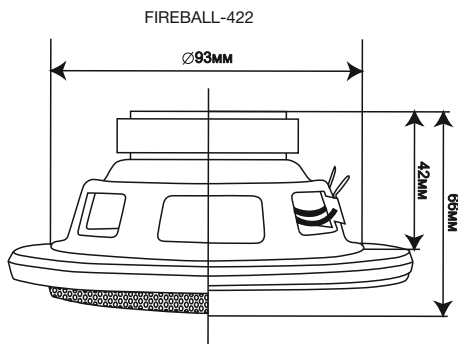
# FIREBALL-422

10cm coaxial speaker

- Description:**
- 4" (10 cm) coaxial car speaker with grill
  - 0.7" (18 mm) high temperature voice coil
  - Steel stamped basket
  - 2-way

## Technical features:

Power RMS (Watts)	<b>51</b>
Maximum power (Watts)	<b>101</b>
Nominal impedance (Ohm)	<b>4</b>
Voice coil diameter	<b>0.7" (18mm)</b>
Magnet structure weight	<b>4 Oz (130g)</b>
Frequency response (Hz)	<b>90-20000</b>
SPL (dB)	<b>90±2</b>
Overall depth (mm)	<b>66</b>
Mounting depth (mm)	<b>42</b>
Overall diameter (mm)	<b>102</b>
Mounting diameter (mm)	<b>93</b>



In order to improve product quality, product specifications and features are subject to change without notice.

©2021 AURA Electronics Inc. All rights reserved.

[www.aurael.ru](http://www.aurael.ru)